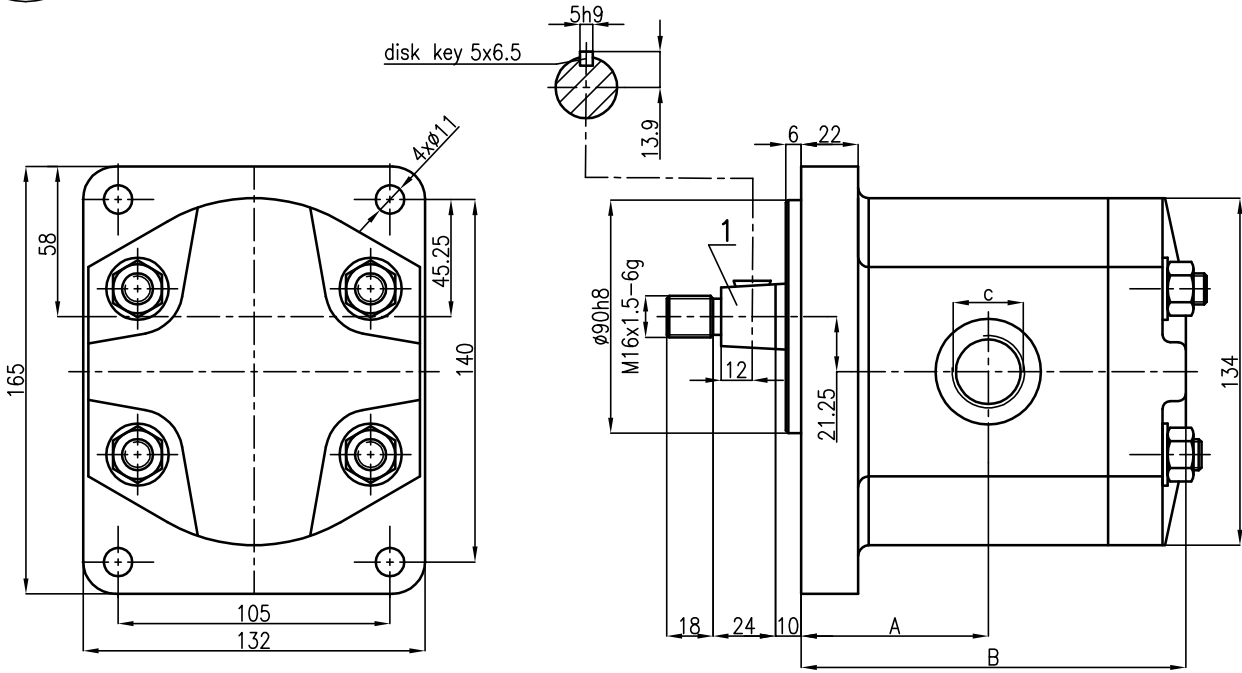
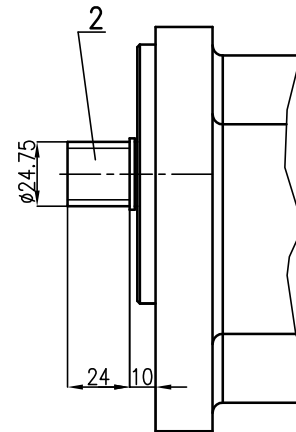
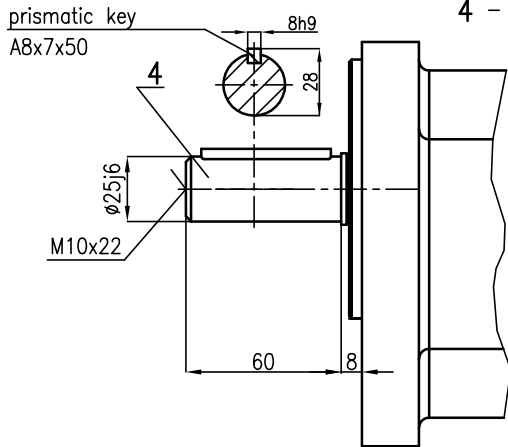




PZ3-III-2 technical drawing



- 1 - 1:10 shaft taper
- 2 - shaft splined 25x1.25x10d acc.to PN-69/M-85010
- 4 - shaft cylindrical



Geometric displacement ccm/rot	Pump designation	Dimension [mm]		Port thread
		A	B	inlet and outlet c
12.5	PZ3-12.5/20-x-122	66.2	131	M22x1.5A
	PZ3-12.5/20-x-222			
16	PZ3-16/20-x-122	68	135	M27x2A
	PZ3-16/20-x-222			
20	PZ3-20/20-x-122	70	139	M27x2A
	PZ3-20/20-x-222			
25	PZ3-25/20-x-122	72.2	143.5	M27x2A
	PZ3-25/20-x-222			
32	PZ3-32/16-x-122	75.7	150.5	M33x2A
	PZ3-32/16-x-222			
	PZ3-32/16-x-422			
40	PZ3-40/16-x-122	80	159	M42x2A
	PZ3-40/16-x-222			
	PZ3-40/16-x-422			
50	PZ3-50/12.5-x-122	85	169	M42x2A
	PZ3-50/12.5-x-222			
	PZ3-50/12.5-x-422			
60	PZ3-60/12.5-x-122	89.5	178	M42x2A
	PZ3-60/12.5-x-222			
	PZ3-60/12.5-x-422			

x-direction of rotation (1-counter clockwise; 2-clockwise)