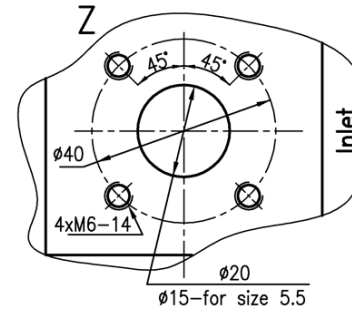


### Ordering code of pump section

2PZW4-a-b|d RK

- 2 Group
- PZW4 Pump type
- d Size (ccm)
- b Sense of rotation: 1-counter clockwise, 2-clockwise
- c Ports: 6-german flange 4 bolts
- RK End section "RK"

Sample ordering: 2PZW4-16-26RK



Geom. displac.	Dimension	
	L	A
5.5	82	41
8	85.7	42.8
11	90.1	45
14	94.4	47.2
16	97.4	48.7
19	101.8	50.9

Technical data				
1	Geometric displacement	$v_g \text{ cm}^3/\text{obr}$	5.5   8   11   14   16   19	
2	Nominal capacity	$Q_{2\text{min}} \text{ l/min}$	7.4   10.8   14.8   18.9   21.6   25.6	
		at: -nom. rotation speed	$n_n \text{ rot/min}$	1500
		-nominal pressure	$p_n \text{ MPa}$	28   22   18
		-inlet pressure	$p_1 \text{ MPa}$	$0 \pm 0.01$
		-liquid viscosit	$\text{mm}^2/\text{s}$	36
3	Maximum power at	$P_1 \text{ kW}$	4.3   6.3   8.7   11   9.9   9.6	
4	pressure:	-nominally	$p_n \text{ MPa}$	28   22   18
		-instantaneous	$p_2 \text{ MPa}$	31   25   20
		-peek	$p_3 \text{ MPa}$	32   26   21
		inlet pressure	$p_1 \text{ MPa}$	$-0.03 \text{ do } +0.4$
6	Direction of rotation:	counter clockwise or clockwise		
7	Rotation speed	-max	$n_{\text{max}} \text{ obr/min}$	3200   2500
		-min	$n_{\text{min}} \text{ obr/min}$	500
8	Perf. characteristic at pressure:	-nominal	constance	
		-instantaneous	of short duration (max 30s)	
9	Range of visc. of working liquid	$\text{mm}^2/\text{s}$	8-2000	
10	Recommended working liquid:	mineral oil of good lubricating ability and viscosity 37-115 $\text{mm}^2/\text{s}$ at given working temperature		
11	Nominal filtration of working liquid	$\text{mm}$	0.020	
12	Range of temp. of working liquid	$^\circ\text{C}$	-20 do +80	



Gear pump end section

2PZW4-4 2PZW4-4.014  
XA 2/2

